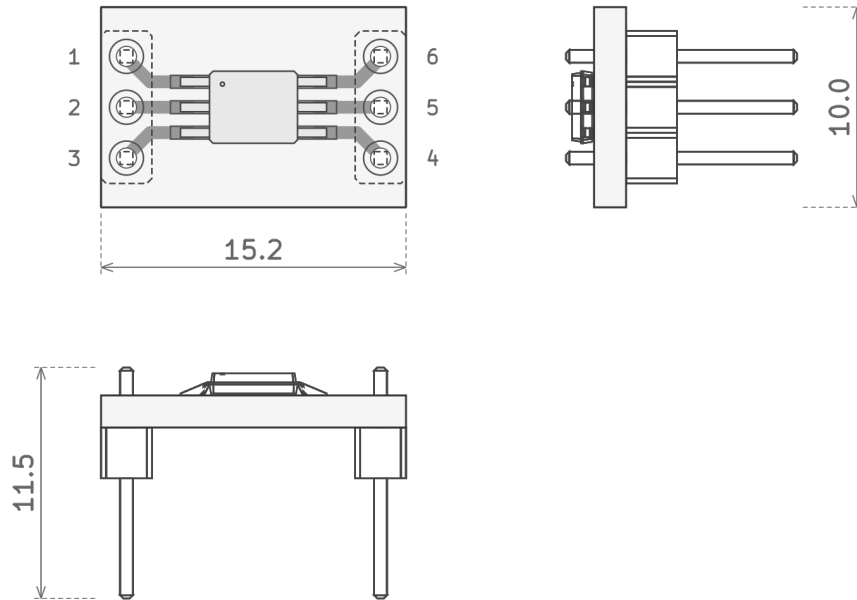


BB-9816646

SO-6 (4.4x3.6mm) x1



Specifications

Board Size **15.24 x 10.0 mm**
 IC Pin Count **6**
 Clearance **0.2 mm**
 Routing **6/6 nets**

PCB Pin Count **6**
 Trace Width **0.64 mm**
 Connector Spacing **12.7 mm**
 Trace Segments **14**

Compatible Footprints

SO-6 (4.4x3.6mm)

Pin Mapping

Pin	Net	IC Pin
1	A1	1
2	A2	2
3	A3	3

Pin	Net	IC Pin
4	A4	4
5	A5	5
6	A6	6