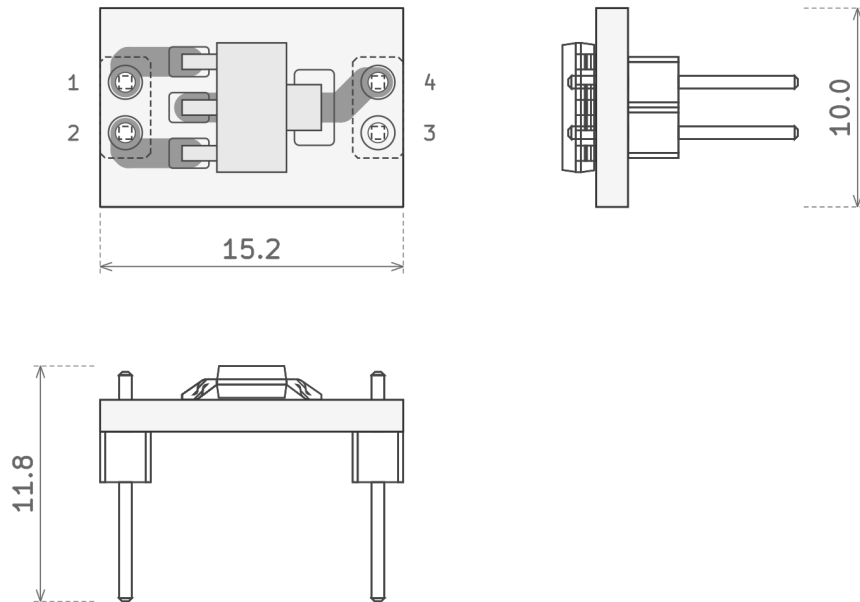


BB-9145812

SOT-223-3 x1



Specifications

Board Size	15.24 x 10.0 mm	PCB Pin Count	4
IC Pin Count	3	Trace Width	1.5 mm
Clearance	0.2 mm	Connector Spacing	12.7 mm
Routing	4/4 nets	Trace Segments	12

Compatible Footprints

SOT-223-3

Pin Mapping

Pin	Net	IC Pin
1	A1	1
2	A3	3

Pin	Net	IC Pin
3	NC	-
4	A2	2