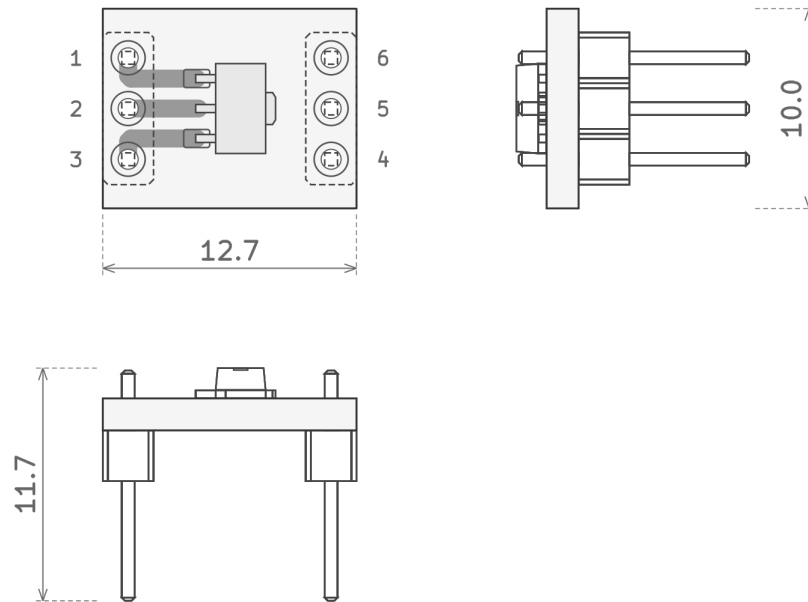


# BB-8532372

SOT-89-3 x1



## Specifications

Board Size	12.7 x 10.0 mm	PCB Pin Count	6
IC Pin Count	3	Trace Width	0.9 mm
Clearance	0.2 mm	Connector Spacing	10.16 mm
Routing	3/3 nets	Trace Segments	7

## Compatible Footprints

SOT-89-3

## Pin Mapping

Pin	Net	IC Pin
1	A1	1
2	A2	2
3	A3	3

Pin	Net	IC Pin
4	NC	-
5	NC	-
6	NC	-