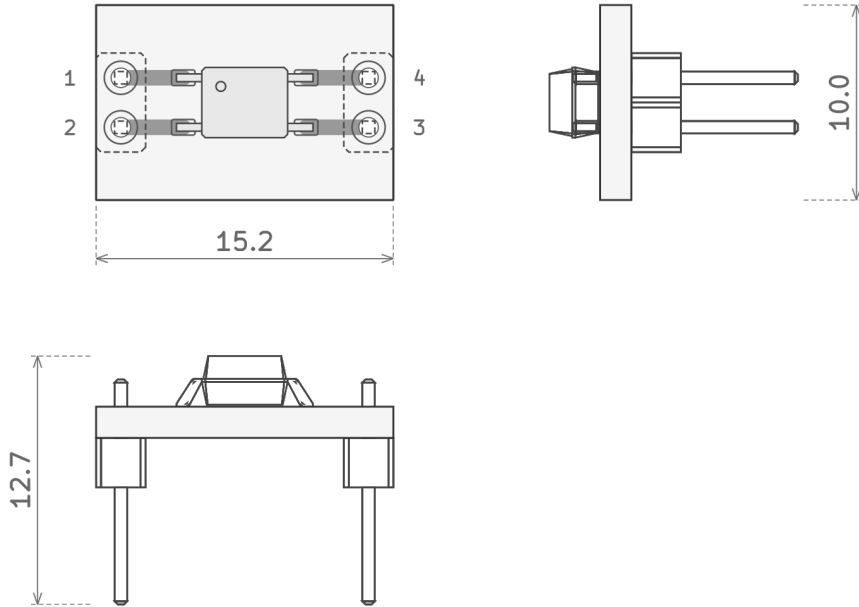


BB-6826457

SOIC-4-6 (4.4x3.6mm) x1



Specifications

Board Size	15.24 x 10.0 mm	PCB Pin Count	4
IC Pin Count	4	Trace Width	0.8 mm
Clearance	0.2 mm	Connector Spacing	12.7 mm
Routing	4/4 nets	Trace Segments	4

Compatible Footprints

SOIC-4-6 (4.4x3.6mm)

Pin Mapping

Pin	Net	IC Pin
1	A1	1
2	A3	3

Pin	Net	IC Pin
3	A4	4
4	A6	6