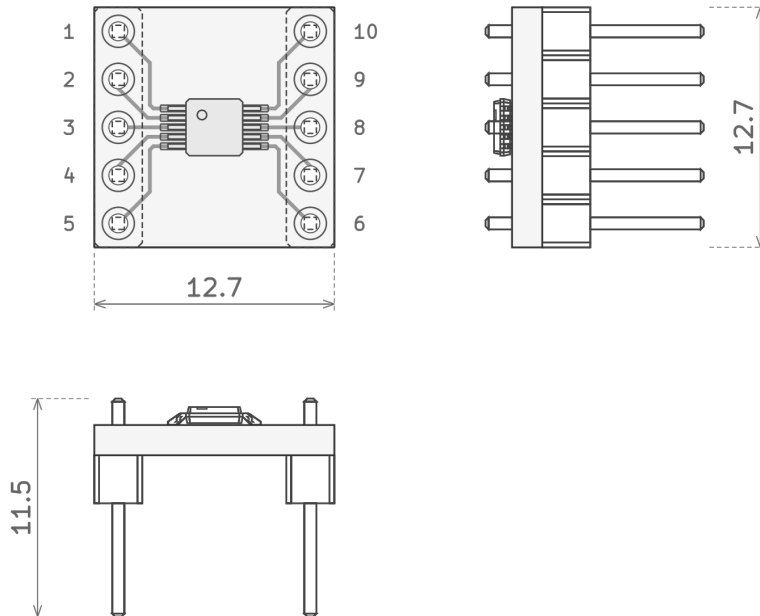


BB-6811906

MSOP-10 (P0.5mm) x1



Specifications

Board Size	12.7 x 12.7 mm	PCB Pin Count	10
IC Pin Count	10	Trace Width	0.2 mm
Clearance	0.15 mm	Connector Spacing	10.16 mm
Routing	10/10 nets	Trace Segments	30

Compatible Footprints

MSOP-10 (P0.5mm), TSSOP-10 (3x3mm, P0.5mm)

Pin Mapping

Pin	Net	IC Pin
1	A1	1
2	A2	2
3	A3	3
4	A4	4
5	A5	5

Pin	Net	IC Pin
6	A6	6
7	A7	7
8	A8	8
9	A9	9
10	A10	10