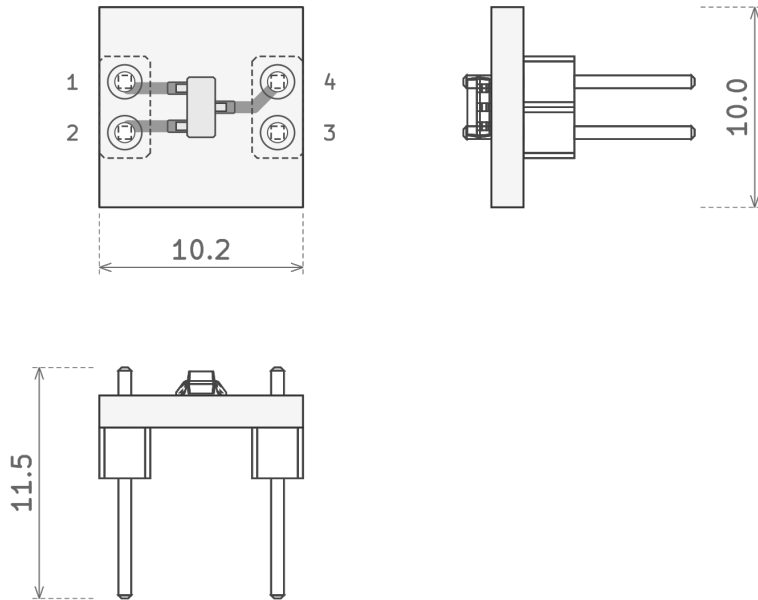


BB-6652286

SOT-23 x1



Specifications

Board Size	10.16 x 10.0 mm	PCB Pin Count	4
IC Pin Count	3	Trace Width	0.6 mm
Clearance	0.2 mm	Connector Spacing	7.62 mm
Routing	3/3 nets	Trace Segments	9

Compatible Footprints

SOT-23, SC-59, SOT-23-3, SOT-23W, SOT-323, SuperSOT-3, TSOT-23

Pin Mapping

Pin	Net	IC Pin	Pin	Net	IC Pin
1	A1	1	3	NC	-
2	A2	2	4	A3	3