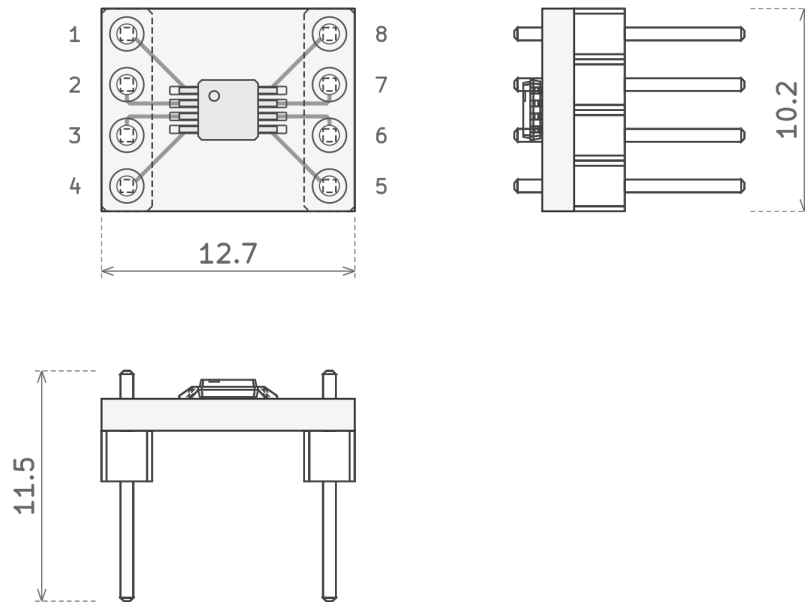


BB-6539885

MSOP-8 x1



Specifications

Board Size	12.7 x 10.16 mm	PCB Pin Count	8
IC Pin Count	8	Trace Width	0.2 mm
Clearance	0.2 mm	Connector Spacing	10.16 mm
Routing	8/8 nets	Trace Segments	24

Compatible Footprints

MSOP-8, TSSOP-8 (3x3mm), S-PDSO-G8 (3x3mm), VSSOP-8

Pin Mapping

Pin	Net	IC Pin
1	A1	1
2	A2	2
3	A3	3
4	A4	4

Pin	Net	IC Pin
5	A5	5
6	A6	6
7	A7	7
8	A8	8