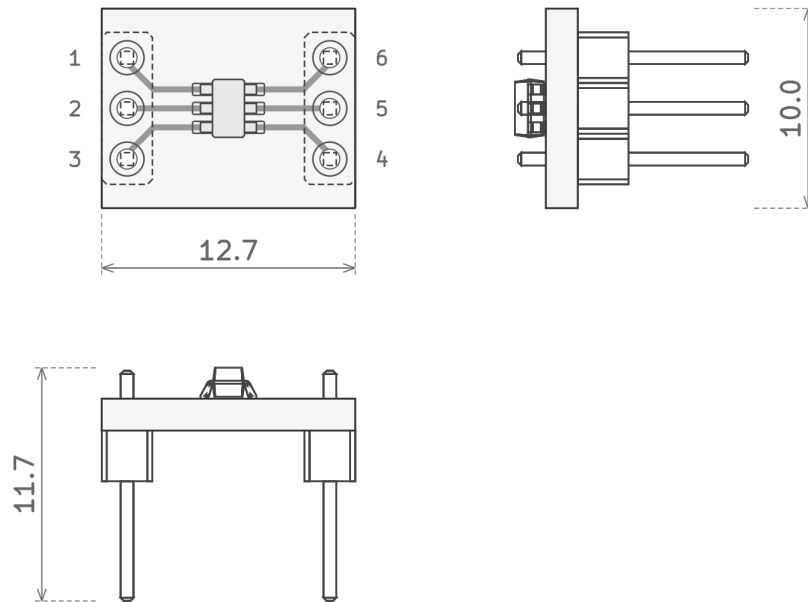


# BB-6539580

SOT-23-6 x1



## Specifications

Board Size	12.7 x 10.0 mm	PCB Pin Count	6
IC Pin Count	6	Trace Width	0.3 mm
Clearance	0.2 mm	Connector Spacing	10.16 mm
Routing	6/6 nets	Trace Segments	14

## Compatible Footprints

SOT-23-6, SOT-457T, SuperSOT-6, TSOT-23-6

## Pin Mapping

Pin	Net	IC Pin
1	A1	1
2	A2	2
3	A3	3

Pin	Net	IC Pin
4	A4	4
5	A5	5
6	A6	6