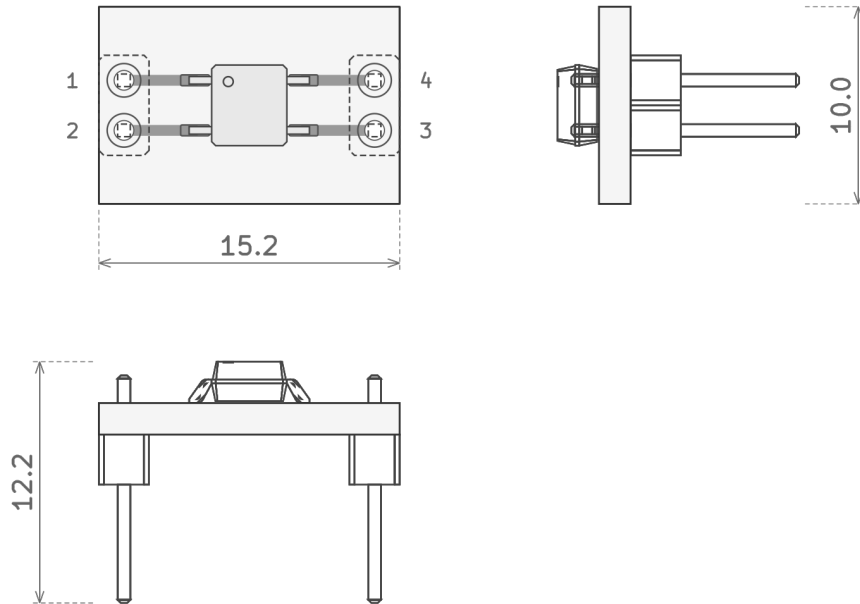


BB-6324436

SOP-4 (3.8x4.1mm, P2.54mm) x1



Specifications

Board Size	15.24 x 10.0 mm	PCB Pin Count	4
IC Pin Count	4	Trace Width	0.55 mm
Clearance	0.2 mm	Connector Spacing	12.7 mm
Routing	4/4 nets	Trace Segments	4

Compatible Footprints

SOP-4 (3.8x4.1mm, P2.54mm)

Pin Mapping

Pin	Net	IC Pin
1	A1	1
2	A2	2

Pin	Net	IC Pin
3	A3	3
4	A4	4