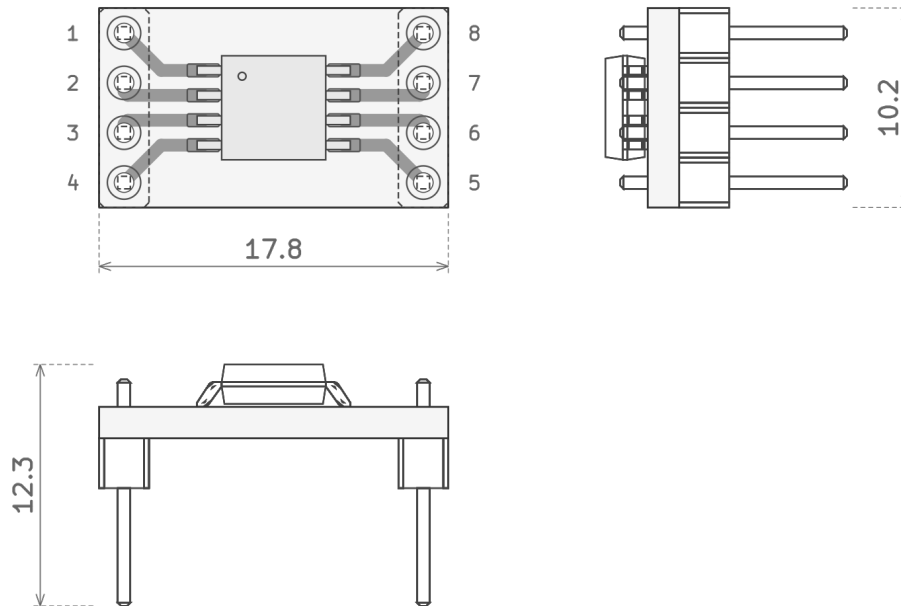


BB-4460626

SOICW-8 (5.3mm wide) x1



Specifications

Board Size	17.78 x 10.16 mm	PCB Pin Count	8
IC Pin Count	8	Trace Width	0.65 mm
Clearance	0.2 mm	Connector Spacing	15.24 mm
Routing	8/8 nets	Trace Segments	24

Compatible Footprints

SOICW-8 (5.3mm wide)

Pin Mapping

Pin	Net	IC Pin
1	A1	1
2	A2	2
3	A3	3
4	A4	4

Pin	Net	IC Pin
5	A5	5
6	A6	6
7	A7	7
8	A8	8