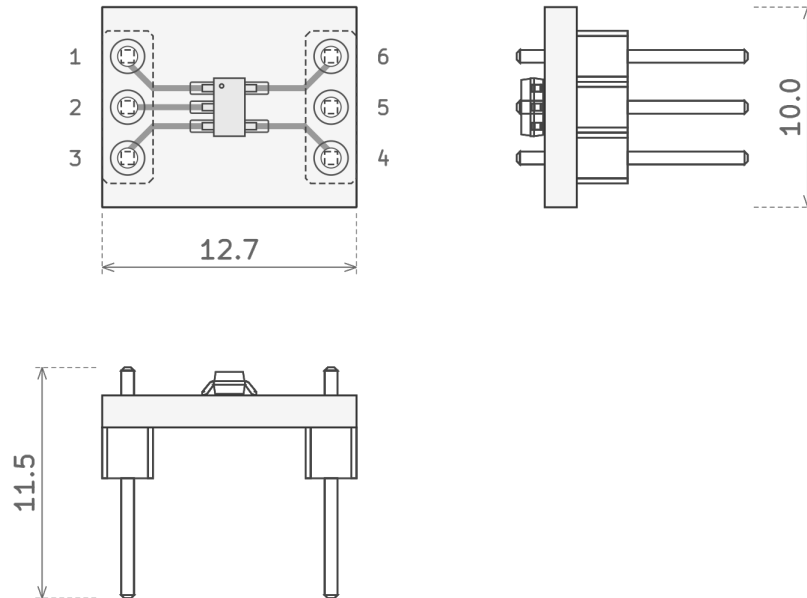


BB-2989873

SC-74A-5 x1



Specifications

Board Size	12.7 x 10.0 mm	PCB Pin Count	6
IC Pin Count	5	Trace Width	0.3 mm
Clearance	0.2 mm	Connector Spacing	10.16 mm
Routing	5/5 nets	Trace Segments	13

Compatible Footprints

SC-74A-5

Pin Mapping

Pin	Net	IC Pin
1	A1	1
2	A2	2
3	A3	3

Pin	Net	IC Pin
4	A4	4
5	NC	-
6	A5	5